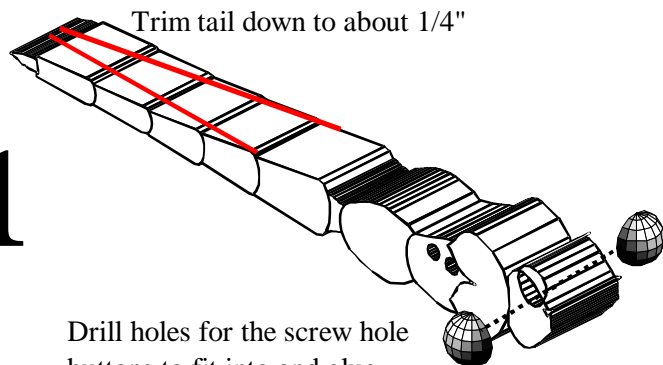


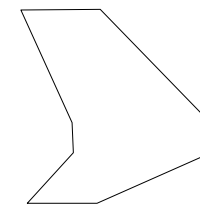
**1**



Trim tail down to about 1/4"

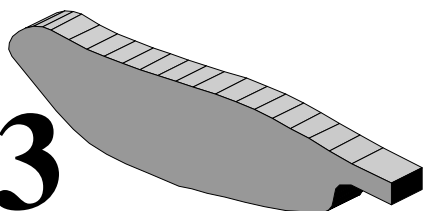
Drill holes for the screw hole buttons to fit into and glue

**2**



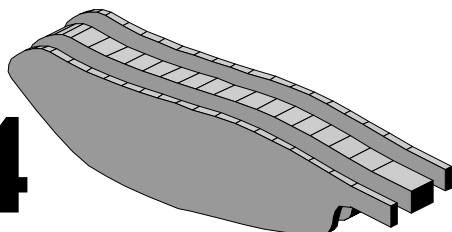
Cut tail fin from clear plastic. Cut a slit in the center of the tail and glue.

**3**



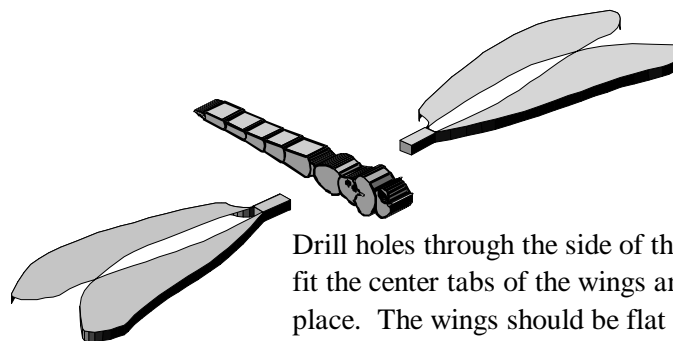
Trace wings onto 1x material and cut out

**4**



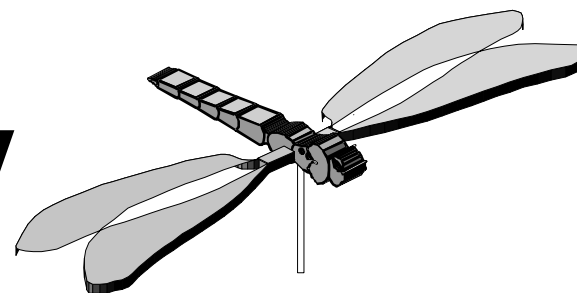
cut off 1/4" slices off each side to make 2 thin wings each.

**6**



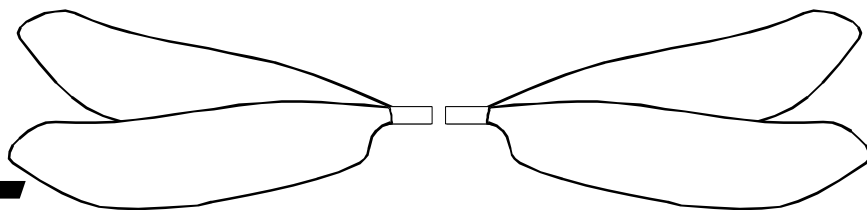
Drill holes through the side of the body to fit the center tabs of the wings and glue in place. The wings should be flat alongside the body

**7**

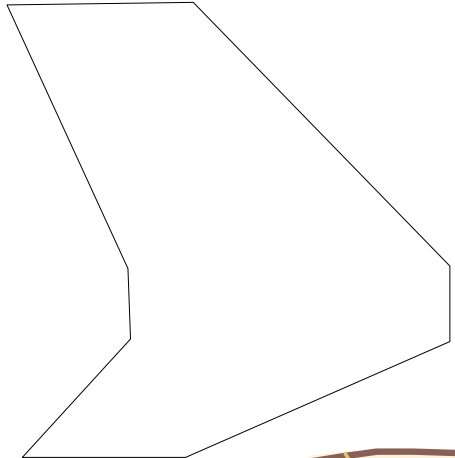
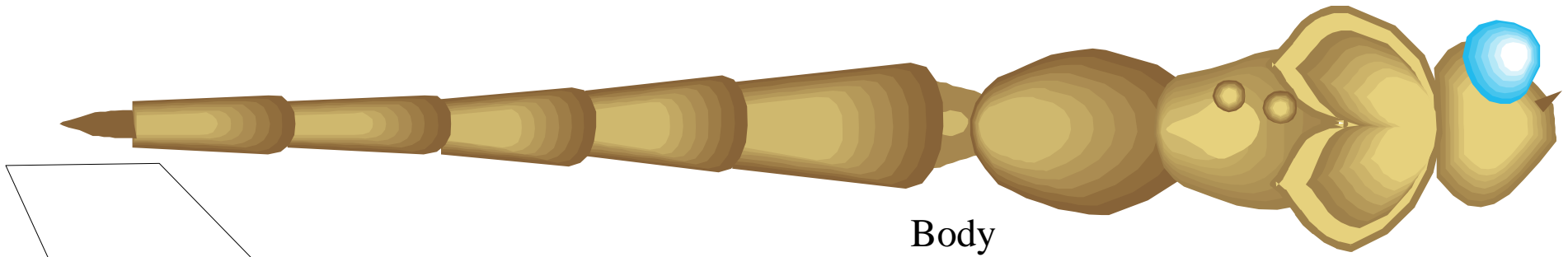


Find the center of ballance and drill a small hole just big enough for a screw to fit through and spin freely. Put two nuts on the screw, the first close to the body but not tight or it will prevent it from spinning. The second nut is to tighten against the first nut and hold it in place.

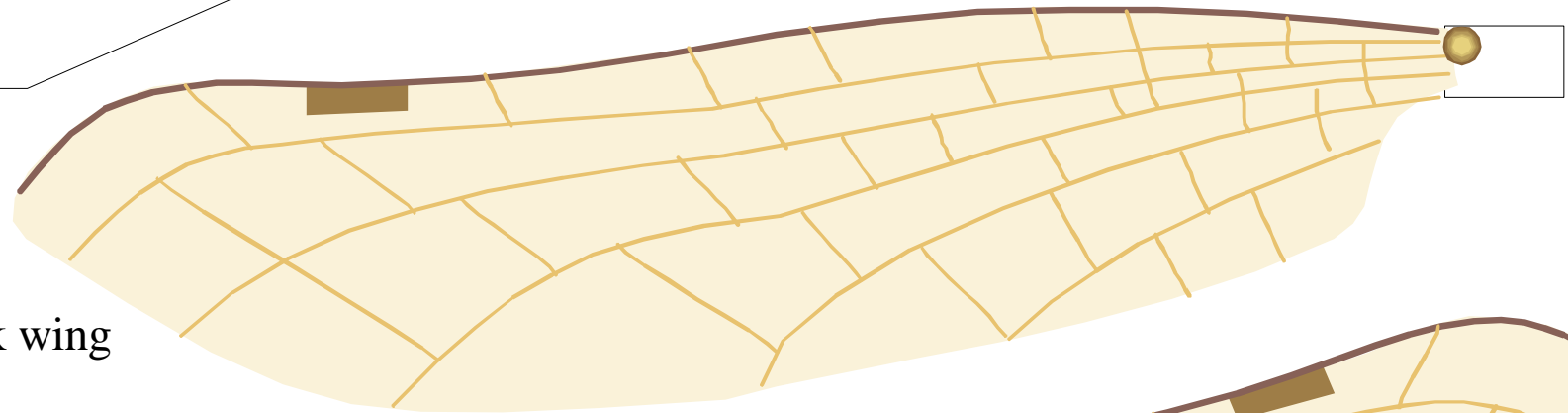
**5**



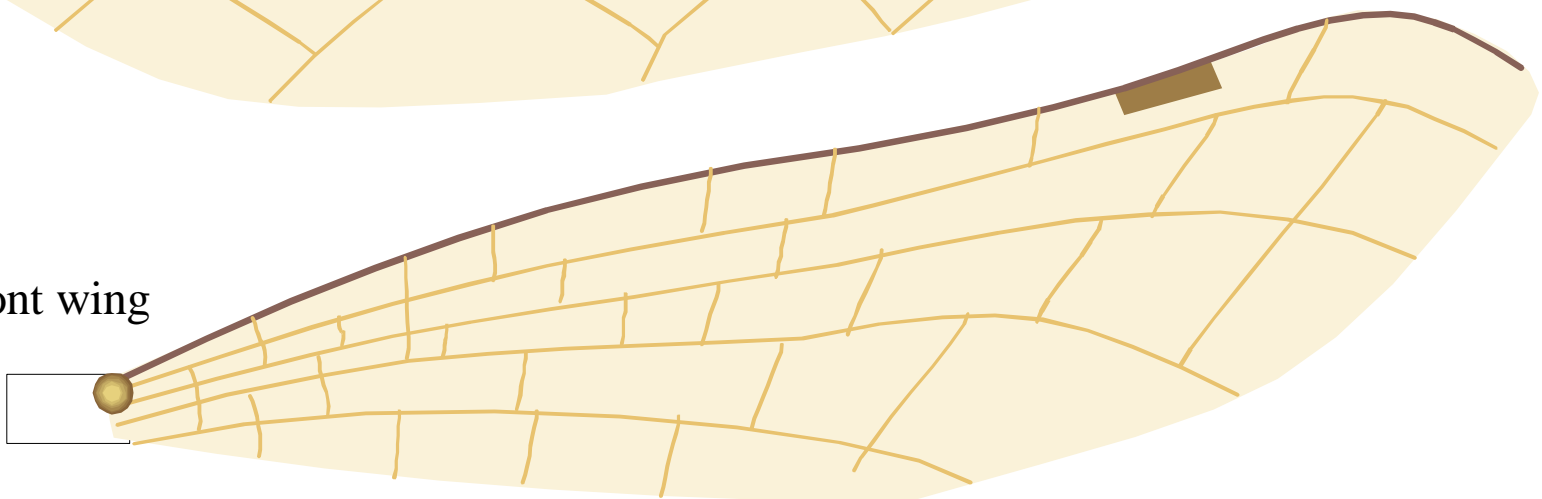
Glue the back wing on top of the front wing so that the center tabs are lined up. Do this for the left and right set of wings.



Clear Tail fin



Back wing



Front wing